

## SPECIFICATIONS

# COMBINATION STACK WASHER / DRYER – 60Hz MODELS



All within the floor space of a single unit, the large capacity of the 3.1 cu. ft. washer provides ample room for bulky items, while the extra-large, 6.7 cu. ft. dryer allows for loads to be dried effectively - maximizing facility productivity.



MLE22PDAYW  
MLG22PDAWW



MLE22PRAYW  
MLE22PRAZW  
MLG22PRAWW



MLE22PDAZW

## DURACORE DRIVE SYSTEM

Designed and tested to run 15,000 cycles.\* A watertight, flexible triple-lip seal with a garter spring helps keep moisture away from the shaft, protecting our premium bearings - while our proven, durable shaft sleeve is designed to reduce shaft wear. These components, along with a die-cast trunnion, result in more turns over the life of the washer, helping to boost your bottom line.



## INTELLIGENT CONTROLS WITH M-SERIES TECHNOLOGY

Intelligent Controls with M-Series Technology help owners increase profitability. These enhanced controls allow customized setup—each cycle and option can be priced individually or programmed for time-of-day pricing, maximizing revenue.



## ADVANCED SPIN TECHNOLOGY

Featuring a 6-point suspension system, accelerometer, Progressive Spin Logic, and an optimized pump routine, Advanced Spin Technology helps deliver accurate cycle times and optimal performance for all load types.



## TURBOVENT® DRYER TECHNOLOGY

An extra blower wheel optimizes performance in long vents, while high airflow reduces drying times for a wide variety of loads, increasing efficiency and turns over the life of the machine.



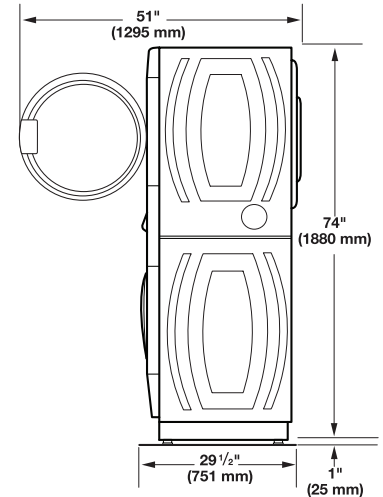
\*Based on 11-lb. load, 34 min. timed cycle, Heavy Soil

# SPECIFICATIONS

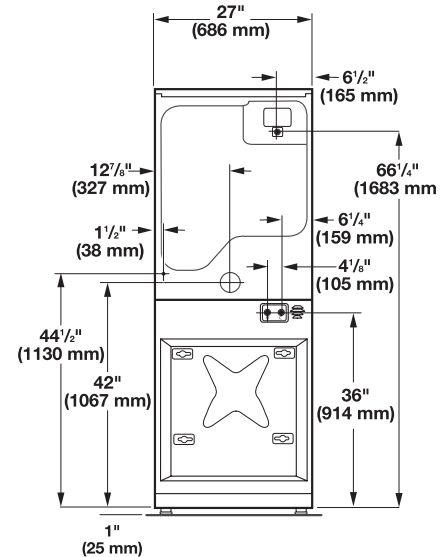
# COMBINATION STACK WASHER / DRYER – 60Hz MODELS



MODEL – COIN READY/ CARD READY & NON-VEND	MLE22PDAYW/ MLE22PRAYW	MLG22PDAWW/ MLG22PRAWW	MLE22PDAZW/ MLE22PRAZW
Fuel Type	U.S. / Int'l Electric	U.S. / Int'l Gas	Canada Electric
<b>WASHER SPECIFICATIONS</b>			
<b>CAPACITY</b>			
Cylinder Volume – cu. ft. (liters)	3.10 (88)	3.10 (88)	3.10 (88)
Cylinder Diameter – in. (mm)	21.60 (547)	21.60 (547)	21.60 (547)
Cylinder Depth – in. (mm)	13.40 (340)	13.40 (340)	13.40 (340)
<b>WATER INLET HOSE / DRAIN HOSE</b>			
Operating Pressure – psi (bar)	20 – 100 (1 – 8)	20 – 100 (1 – 8)	20 – 100 (1 – 8)
Inlet Hose Length – ft. (m)	4 (1.22)	4 (1.22)	4 (1.22)
Drain Hose Length – ft. (m)	6 (1.83)	6 (1.83)	6 (1.83)
<b>APPROXIMATE WATER USAGE</b>			
Average Total Water Usage Per Cycle – gallons (liters)*	10.71 (40.50)	10.71 (40.50)	10.71 (40.50)
Average Hot Water Usage, Warm Water Cycle – gallons (liters)	.71 (2.69)	.71 (2.69)	.71 (2.69)
Average Hot Water Usage, Hot Water Cycle – gallons (liters)	2.71 (10.26)	2.71 (10.26)	2.71 (10.26)
<b>ELECTRICAL REQUIREMENTS+</b>			
Voltage	120V	N/A	N/A
Electrical Requirements / Frequency	60Hz	N/A	N/A
Breaker / Fuse – amps	30	N/A	N/A
<b>DIMENSIONS – DOOR OPENING – IN. (MM)</b>			
14.25 (362)	14.25 (362)	14.25 (362)	
<b>EXTRACT SPEED – MAX G-FORCE / MAX RPM</b>			
300 / 1,000	300 / 1,000	300 / 1,000	
<b>MOTOR SIZE – HP (KW)</b>			
.09 (.07)	.09 (.07)	.09 (.07)	
<b>INTEGRATED WATER FACTOR (IWF)*</b>			
3.5	3.5	3.5	
<b>MODIFIED ENERGY FACTOR (MEF<sub>2</sub>)*</b>			
2.2	2.2	2.2	
<b>DRYER SPECIFICATIONS</b>			
<b>CAPACITY</b>			
Cylinder Volume – cu. ft. (liters)	6.70 (190)	6.70 (190)	6.70 (190)
Cylinder Diameter – in. (mm)	26.3 (666.8)	26.3 (666.8)	26.3 (666.8)
Cylinder Depth – in. (mm)	20.4 (518.3)	20.4 (518.3)	20.4 (518.3)
<b>ELECTRICAL REQUIREMENTS+</b>			
Voltage	240V	120V	240V
Electrical Requirements / Frequency	60Hz	60Hz	60Hz
Breaker / Fuse – amps	30	15	40
<b>DIMENSIONS – DOOR OPENING – IN. (MM)</b>			
18.25 (464)	18.25 (464)	18.25 (464)	
<b>DRYER EXHAUST DUCT DIAMETER – IN. (MM)**</b>			
4 (100)	4 (100)	4 (100)	
<b>AIRFLOW (CFM)</b>			
215 (6.10)	230 (6.5)	215 (6.10)	
<b>ELECTRIC HEATING ELEMENT (WATTS)</b>			
5,600	N/A	5,250	
<b>GAS RATING – BTU/HR. (KCAL/HR.)</b>			
N/A	24,000 (6,048)	N/A	
<b>GAS INLET SIZE</b>			
N/A	3/8 NPT	N/A	
<b>MOTOR SIZE – HP (KW)</b>			
.33 (.25)	.33 (.25)	.33 (.25)	
<b>MACHINE SPECIFICATIONS</b>			
<b>DIMENSIONS</b>			
Width – in. (mm)	27 (686)	27 (686)	27 (686)
Depth – in. (mm)	29.50 (751)	29.50 (751)	29.50 (751)
Height – in. (mm)	74 (1,880)	74 (1,880)	74 (1,880)
<b>CRATED DIMENSIONS</b>			
Crated Width – in. (mm)	29.25 (743)	29.25 (743)	29.25 (743)
Crated Depth – in. (mm)	34 (864)	34 (864)	34 (864)
Crated Height – in. (mm)	75.75 (1,924)	75.75 (1,924)	75.75 (1,924)
<b>APPROXIMATE WEIGHT</b>			
Uncrated – lbs. (kg)	372 (169)	378 (171)	372 (169)
Crated – lbs. (kg)	383 (173)	389 (176)	383 (173)
<b>MAYTAG CONNECT 360™ TECHNOLOGY COMPATIBLE</b>			
Yes	Yes	Yes	
<b>ADA-COMPLIANT</b>			
Yes	Yes	Yes	



**SIDE VIEW**



**BACK VIEW**



See [maytagcommerciallaundry.com](http://maytagcommerciallaundry.com) for complete warranty details.

Dimensions are for planning purposes only. See specific instructions for proper installation. Because of continuous product improvement, Maytag reserves the right to change specifications without notice.

\*Based on 2018 United States DOE J2 Testing with factory preset cycles.

\*\*Use 4" (100mm) diameter rigid aluminum or galvanized steel duct. Never use plastic, non-metal, or combustible duct.

+It is recommended that a separate circuit serving only this washer / dryer be provided.